

L606 Lubricators – Standard

- Metal bowl with sight gauge - standard
- Polycarbonate sight dome
- Bowl can be filled while air line is under pressure
- Proportional oil delivery over a wide range of air flows
- Large capacity bowl
- Optional high capacity bowl(s) available
- Precision needle valve assures repeatable oil delivery and provides simple adjustment of delivery rate
- 3/4", 1" ports, (NPT, BSPP)



Port size	Description	Part number
3/4"	16 oz. bowl with sight gauge, drain	L606-06W
1"	16 oz. bowl with sight gauge, drain	L606-08W
3/4"	32 oz. bowl without sight gauge, with drain	L606-06E
1"	32 oz. bowl without sight gauge, with drain	L606-08E
3/4"	64 oz. bowl with sight gauge, no drain	L606-06G
1"	64 oz. bowl with sight gauge, no drain	L606-08G

Operating information

Supply pressure (max):		
Aluminum (E)		300 psig (20.7 bar)
Aluminum with gauge (G)		150 psig (10.2 bar)
Zinc with gauge (W)		250 psig (17.2 bar)
Operating temperature:		
Aluminum (E)		40°F to 150°F (4.4°C to 65.6°C)
Aluminum with gauge (G)		40°F to 125°F (4.4°C to 52°C)
Zinc with gauge (W)		40°F to 150°F (4.4°C to 65.6°C)
Flow capacity†:		
High flow	3/4"	325 scfm (153.4 dm³/s, ANR)
	1"	350 scfm (165.2 dm³/s, ANR)
Bowl capacity:		
Aluminum (E)		32 oz.
Aluminum with gauge (G)		64 oz.
Zinc with gauge (W)		16 oz.
Weight:		
	16 oz (W)	4.2 lb (1.91 kg)
	32 oz (E)	5.5 lb (2.49 kg)
	64 oz (G)	7.2 lb (3.27 kg)

† scfm = Standard cubic feet per minute at 100 psig inlet and 5 psig pressure drop.
 () Bowl type.

Ordering information:

L606	-	06	W		/**
Port Threads		Port Size			Engineering Level
NPT	-	3/4 inch	06		** Will be entered at Factory
BSPP	G	1 inch	08		
Bowl				Options	
32 oz. Large capacity without sight gauge with drain			E	Blank	None
64 oz. Large capacity with sight gauge			G	H	Button head fill fitting
16 oz. Metal with sight gauge with drain			W	X9*	Manual twist drain (increases product length by 9/16 inch)

* Standard with "E" & "W" bowl, optional with "G" bowl.

Suggested Lubricant **F442 Oil**

Petroleum based oil of 100 to 200 SUS viscosity at 100°F (38°C) and an aniline point greater than 200°F (93°C)

(DO NOT USE OILS WITH ADDITIVES, COMPOUNDED OILS CONTAINING SOLVENTS, GRAPHITE, DETERGENTS, OR SYNTHETIC OILS.)

Most popular.



For inventory, lead times, and kit lookup, visit www.pdnplu.com

Standard Lubricators

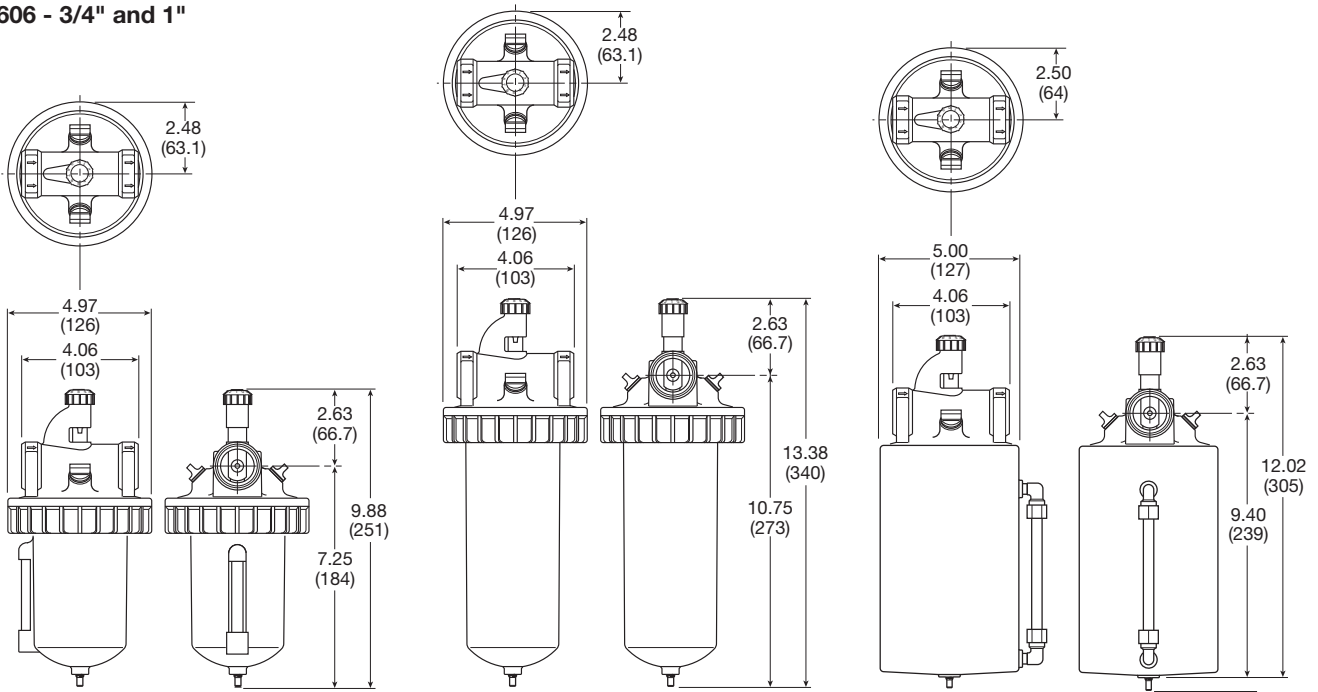
Material Specifications

Body	Zinc
Bowl, 32 oz. (E)	Aluminum
Bowl, 64 oz. (G)	Aluminum with polycarbonate sight gauge
Bowl, 16 oz. (W)	Zinc with nylon sight gauge
Seals	Buna N

Repair and Service Kits

Adjusting knob	606Y72
Aluminum 32 oz bowl (E)	BK603B
Aluminum 64 oz bowl with sight gauge (G)	BK606X30B
Zinc 16 oz bowl with sight gauge (W)	BK609WB
Button head fill fitting (M14 male thread)	L606C14
Dip tube kit	DTK606
Drip spout kit	RK606SY
Mounting bracket, 3/4 Inch (2 required per unit)	SA200AW57
Mounting bracket, 1 Inch units (2 required per unit)	SA200CW57
Needle valve assembly (All)	RK606Y
Sight gauge bowl repair kit (W)	RKB605WB
Sight gauge bowl repair kit (G)	RKB606X30B
Oil (1 quart)	F442001
Oil (1 gallon)	F442002
Oil (12 quart case)	F442003
Oil (4 gallon case)	F442005

L606 - 3/4" and 1"

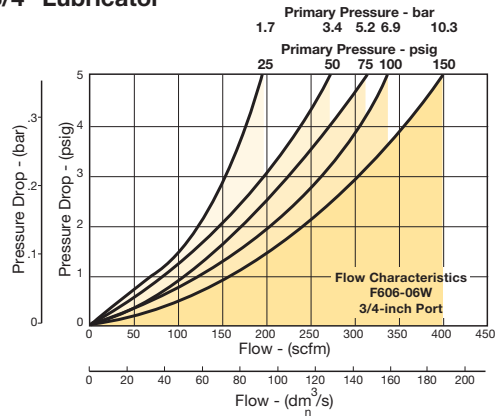


Inches (mm)

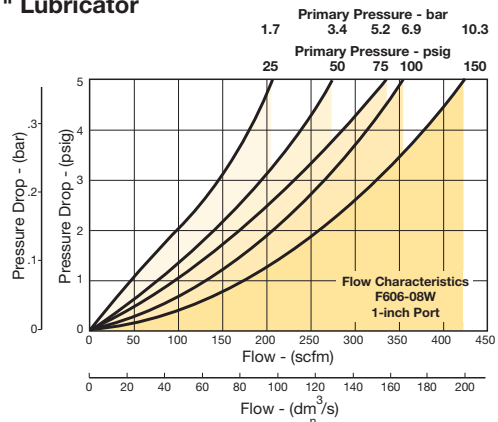
Air Preparation Products General Industrial

Flow Charts

L606 3/4" Lubricator



L606 1" Lubricator



For inventory, lead time, and kit lookup, visit www.pdnplu.com

H29

Parker Hannifin Corporation
 Pneumatic Division
 Richland, Michigan
www.parker.com/pneumatics

General Industrial
Products

H

Filters

Coalescers

Regulators

Lubricators

Combinations

L606 Lubricators – Standard

- Metal bowl with sight gauge - standard
- Polycarbonate sight dome
- Bowl can be filled while air line is under pressure
- Proportional oil delivery over a wide range of air flows
- Large capacity bowl
- Optional high capacity bowl(s) available
- Precision needle valve assures repeatable oil delivery and provides simple adjustment of delivery rate
- 1-1/2" ports (NPT, BSPP)



Port size	Description	Part number
1-1/2"	16 oz. bowl with sight gauge, drain	L606-12W
1-1/2"	32 oz. bowl without sight gauge, with drain	L606-12E
1-1/2"	64 oz. bowl with sight gauge, no drain	L606-12G

Operating information

Supply pressure (max):		
Aluminum (E)		300 psig (20.7 bar)
Aluminum with gauge (G)		150 psig (10.2 bar)
Zinc with gauge (W)		250 psig (17.2 bar)
Operating temperature:		
Aluminum (E)		40°F to 150°F (4.4°C to 65.6°C)
Aluminum with gauge (G)		40°F to 125°F (4.4°C to 52°C)
Zinc with gauge (W)		40°F to 150°F (4.4°C to 65.6°C)
Flow capacity†:		
High flow	1-1/2"	400 scfm (188.8 dm³/s, ANR)
Bowl capacity:		
Aluminum (E)		32 oz.
Aluminum with gauge (G)		64 oz.
Zinc with gauge (W)		16 oz.
Weight:		
16 oz		7.5 lb (3.40 kg)
32 oz		8.3 lb (3.76 kg)
64 oz		10.0 lb (4.54 kg)

† scfm = Standard cubic feet per minute at 100 psig inlet and 5 psig pressure drop.
 () Bowl type.

Ordering information:

L606	-	12	W		/**																
<table border="1"> <thead> <tr> <th colspan="2">Port Threads</th> </tr> </thead> <tbody> <tr> <td>NPT</td> <td>-</td> </tr> <tr> <td>BSPP</td> <td>G</td> </tr> </tbody> </table>		Port Threads		NPT	-	BSPP	G	<table border="1"> <thead> <tr> <th colspan="2">Port Size</th> </tr> </thead> <tbody> <tr> <td>1-1/2 inch</td> <td>12</td> </tr> </tbody> </table>		Port Size		1-1/2 inch	12	<table border="1"> <thead> <tr> <th colspan="2">Engineering Level</th> </tr> </thead> <tbody> <tr> <td>/**</td> <td>Will be entered at Factory</td> </tr> </tbody> </table>		Engineering Level		/**	Will be entered at Factory		
Port Threads																					
NPT	-																				
BSPP	G																				
Port Size																					
1-1/2 inch	12																				
Engineering Level																					
/**	Will be entered at Factory																				
<table border="1"> <thead> <tr> <th colspan="2">Bowl</th> </tr> </thead> <tbody> <tr> <td>32 oz. Large capacity without sight gauge with drain</td> <td>E</td> </tr> <tr> <td>64 oz. Large capacity with sight gauge</td> <td>G</td> </tr> <tr> <td>16 oz. Metal with sight gauge with drain</td> <td>W</td> </tr> </tbody> </table>		Bowl		32 oz. Large capacity without sight gauge with drain	E	64 oz. Large capacity with sight gauge	G	16 oz. Metal with sight gauge with drain	W	<table border="1"> <thead> <tr> <th colspan="2">Options</th> </tr> </thead> <tbody> <tr> <td>Blank</td> <td>None</td> </tr> <tr> <td>H</td> <td>Button head fill fitting</td> </tr> <tr> <td>X9*</td> <td>Manual twist drain (increases product length by 9/16 inch)</td> </tr> </tbody> </table>				Options		Blank	None	H	Button head fill fitting	X9*	Manual twist drain (increases product length by 9/16 inch)
Bowl																					
32 oz. Large capacity without sight gauge with drain	E																				
64 oz. Large capacity with sight gauge	G																				
16 oz. Metal with sight gauge with drain	W																				
Options																					
Blank	None																				
H	Button head fill fitting																				
X9*	Manual twist drain (increases product length by 9/16 inch)																				

* Standard with "E" & "W" bowl, optional with "G" bowl.

Suggested LubricantF442 Oil

Petroleum based oil of 100 to 200 SUS viscosity at 100°F (38°C) and an aniline point greater than 200°F (93°C)

(DO NOT USE OILS WITH ADDITIVES, COMPOUNDED OILS CONTAINING SOLVENTS, GRAPHITE, DETERGENTS, OR SYNTHETIC OILS.)

Most popular.



For inventory, lead times, and kit lookup, visit www.pdnplu.com

H30

Parker Hannifin Corporation
 Pneumatic Division
 Richland, Michigan
www.parker.com/pneumatics

Material Specifications

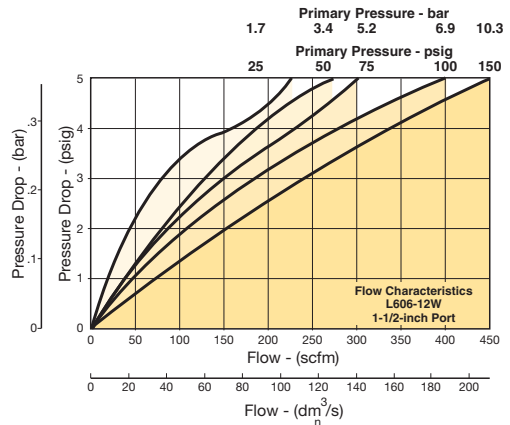
Body	Zinc
32 oz. bowl (E)	Aluminum
64 oz. bowl (G)	Aluminum with polycarbonate sight gauge
16 oz. bowl (W)	Zinc with nylon sight gauge
Seals	Buna N

Repair and Service Kits

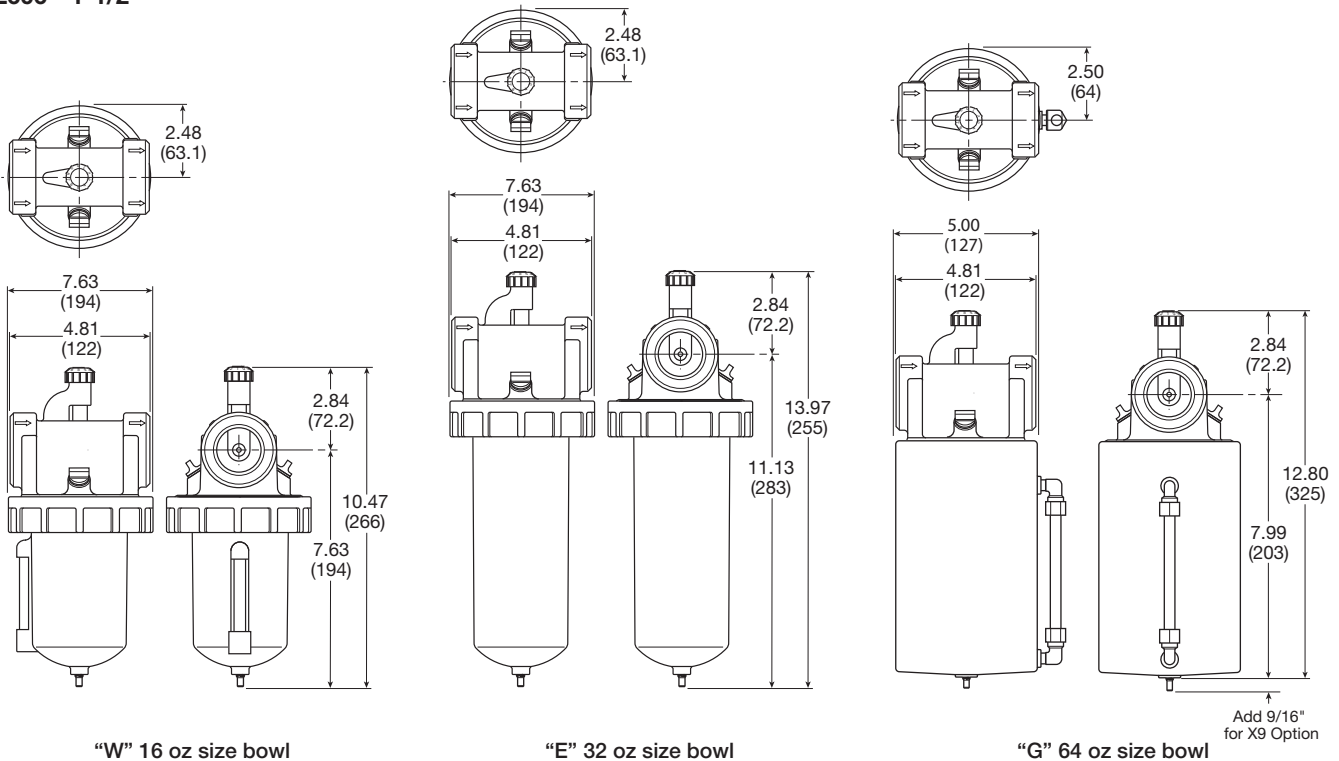
Adjusting knob	606Y72
Aluminum 32 oz. bowl (E)	BK603B
Aluminum 64 oz. bowl with sight gauge (G)	BK606X30B
Zinc 16 oz. bowl with sight gauge (W)	BK609WB
Button head fill fitting (M14 male thread)	L606C14
Dip tube kit	DTK606
Drip spout kit	RK606SY
Needle valve assembly (All)	RK606Y
Sight gauge 16 oz. bowl repair kit (W)	RKB605WB
Sight gauge 64 oz. bowl repair kit (G)	RKB606X30B
Oil (1 quart)	F442001
Oil (1 gallon)	F442002
Oil (12 quart case)	F442003
Oil (4 gallon case)	F442005

Flow Charts

L606 1-1/2" Lubricator



L606 - 1-1/2"



Inches (mm)



For inventory, lead time, and kit lookup, visit www.pdnplu.com

H31

Parker Hannifin Corporation
 Pneumatic Division
 Richland, Michigan
www.parker.com/pneumatics

General Industrial
 Products

H

Filters

Coalescers

Regulators

Lubricators

Combinations

09L Mist Lubricators – Hi-Flow

- Metal bowl with sight gauge and manual drain – standard
- Transparent sight dome for 360° visibility
- Bowl can be filled while air line is under pressure
- Proportional oil delivery over a wide range of air flows
- 2" ports (NPT)



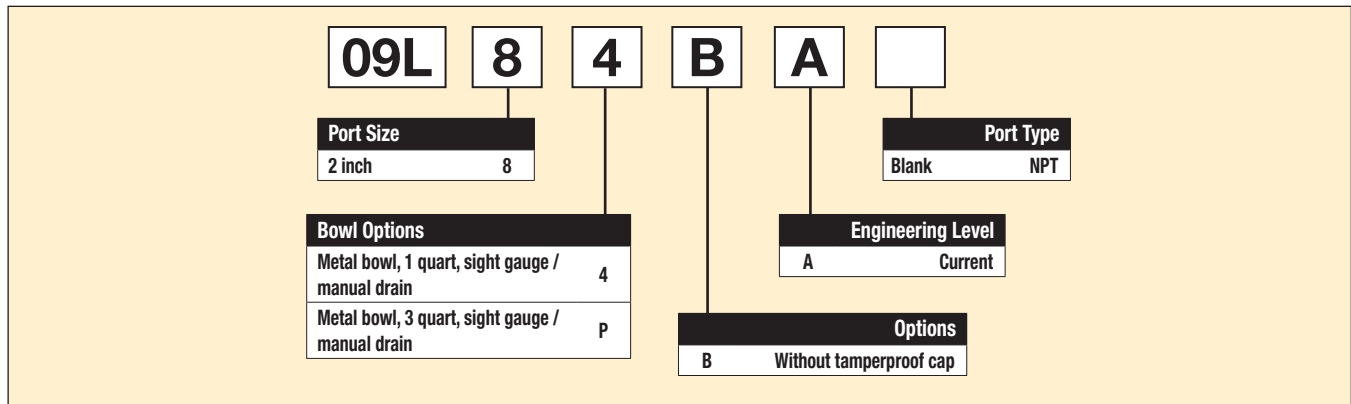
Port size	Description	Part number
2"	Metal bowl, sight gauge, 1 quart	09L84BA
2"	Metal bowl, sight gauge, 3 quart	09L8PBA

Operating information

Supply pressure (max):	150 psig (10.3 bar)
Operating temperature:	32°F to 150°F (0°C to 66°C)
Flow capacity†:	
High flow	2" 1000 scfm (472 dm ³ /s, ANR)
Minimum flow	6.6 scfm at 100 psig
Bowl capacity:	1 qt. (standard)
Weight:	1 qt 10.2 lb (4.6 kg)
	3 qt 13.7 lb (6.2 kg)

† scfm = Standard cubic feet per minute at 90 psig inlet and 5 psig pressure drop.

Ordering information:



Suggested LubricantF442 Oil

Petroleum based oil of 100 to 200 SUS viscosity at 100°F (38°C) and an aniline point greater than 200°F (93°C)
(DO NOT USE OILS WITH ADDITIVES, COMPOUNDED OILS CONTAINING SOLVENTS, GRAPHITE, DETERGENTS, OR SYNTHETIC OILS.)

Most popular.



For inventory, lead times, and kit lookup, visit www.pdnplu.com

High-Flow Mist Lubricators

Material Specifications

Body Zinc alloy, die cast

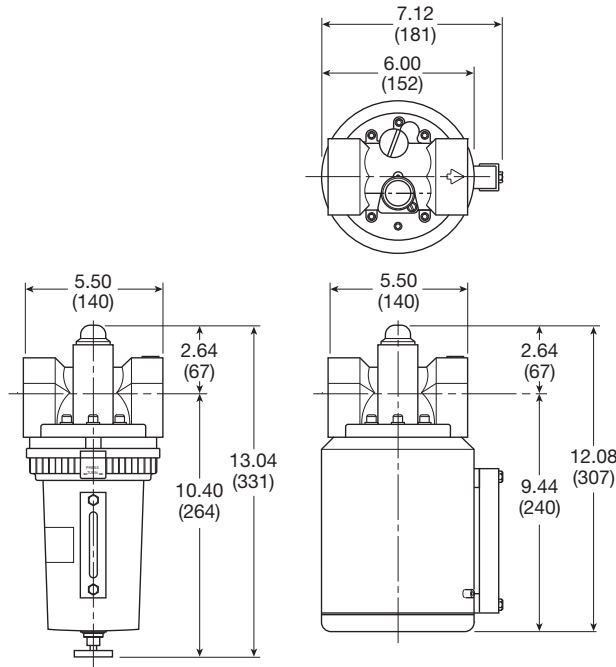
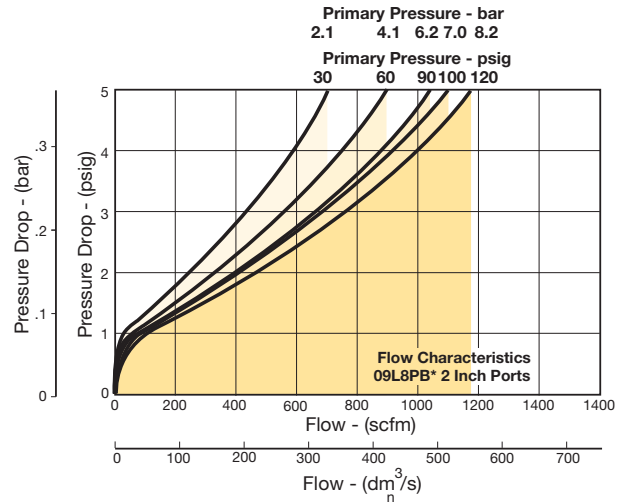
Repair and Service Kits

Fill cap kit	PS610P
Lubricator service kit	PS607P
Metal bowl, 1 quart, sight gauge / twist drain	PS612P
Sight dome kit	PS613P
Oil (1 quart)	F442001
Oil (1 gallon)	F442002
Oil (12 quart case)	F442003
Oil (4 gallon case)	F442005

Air Preparation Products General Industrial

Flow Charts

09L 2" Lubricator



Inches (mm)

1 Quart

3 Quart

General Industrial
Products

H

Filters

Coalescers

Regulators

Lubricators

Combinations



For inventory, lead time, and kit lookup, visit www.pdnplu.com

H33

Parker Hannifin Corporation
Pneumatic Division
Richland, Michigan
www.parker.com/pneumatics